



BELISHA
BEACONS LTD
Home of the solar beacon



Belisha Beacons
RANGE BROCHURE

The UK's best value Solar Powered, Flashing Belisha beacons.
100% Manufactured in the UK
Energy efficient, zero emission & easy installation!

We offer quality,
durable products to suite a
variety of environments.
Tel: +44(0)1458 897 250
Email: belisha@me.com

Contents

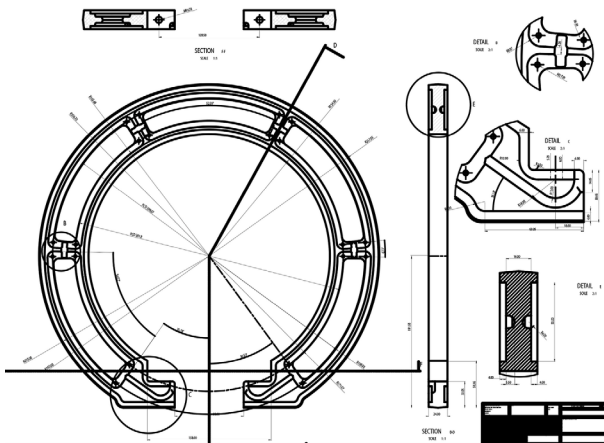
Introduction	3
The BelEco	4
The BelMax	5
Halosphere V1	6
Refuge Beacons	7
Accessories:	
Floodlights, Outreach Brackets, Courtesy Shields	8
Columns, Column Spigot Adaptors, Column Cut Out with Fuse	9
Spares	10-11
Technical Data Sheet	12



Introduction

Belisha Beacons Ltd are a family run business who have worked in the street lighting industry for over 30 years, specialising in Belisha beacons.

Through over 30 years of experience and expertise Belisha Beacons have been manufacturing and delivering premium quality, high spec products whilst working alongside large electrical contractors to supply solutions to companies such as Tesco, NHS, Warner Bro's and many local councils.



The BelEco

(P/N) SBBC/30R/30FL



The BelEco is our market leading solar belisha beacon, manufactured in the UK and thoroughly tested and improved over the last 10+ years since our original and UK first Solar beacon; the BelEco is ideal for off grid install, environments with cable routing limitations or a greener option to help improve the current global climate crisis.

Solar Powered Belisha Beacon Kit Includes:

Solar Powered:

- ◇ 30W or 50W Polycrystalline pre wired solar panel 505mm x 445mm x 275mm,
- ◇ 30 Degree powder coated aluminum open mounting bracket for minimum wind resistance and weighs just 3.2kg.
- ◇ Battery pack consisting of 2 x 9AH 12v batteries and labeled connection block for quick & simple installation and safely mounted in the column base.
- ◇ 25 year warranty on solar panel

Column:

- ◇ 76mm x 2075mm column post on a 140mm x 1725mm column base, Galvanized to BSEN 1461:2009.
- ◇ Extra heavy wind load tested to BSEN40, PD6547: 2004+A1: 2009
- ◇ Painted in Highways approved 168, M24(XM92) gloss black RAL 7005 high performance, 2 pack aliphatic acrylic polyurethane paint.
- ◇ 3 x High intensity prismatic grade reflective white bands fitted.
- ◇ Option of root mounted or flange mounted.

LED Beacon:

- ◇ 300mm rotationally moulded UV stabled globe supplied with a water tight gasket.
- ◇ Die cast aluminum powder-coated gallery with stainless steel M6 fixings to fit a 76mm post.
- ◇ 6 Watt flashing LED, 40 flashes per minute, 0.75sec on 0.75 off, built in smart tech.
- ◇ Control module creating 18 days autonomy and auto dimming at night to preserve Energy. Compliant with BS8442-2006



The BelMax

(P/N) MBBC/R/FL

The BelMax is our mains powered belisha beacon, manufactured in the UK. The standard BelMax consists of LedmaX™LED's, our best selling belisha beacon gallery, an amber globe, coloumn and column cut out.

Mains Powered Belisha Beacon Kit Includes:

LedmaX™ - Maximum Power, Minimum Consumption

The all new LedmaX flashing LED with driverless technology, even more energy efficient than our previous model (LED2PW). Dimensions are the same as the previous LED and fits all our new and old galleries.

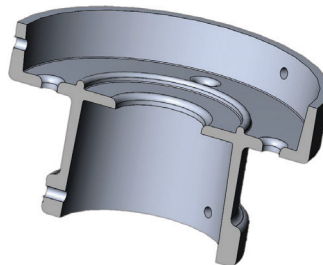
- ◇ Consumes only 6 watts per hour of power 220/240v AC supply
- ◇ Typical running cost based on electricity charge of £0.085 per KW is £2.09 PA
- ◇ Carbon emissions per unit + 0.019 metric tonnes PA
- ◇ Pre-wired with 3.0m 2 core cable
- ◇ Can be retrofitted to any existing column in little time and effort
- ◇ 50,000 Hours life expectancy
- ◇ Highways Compliant
- ◇ UMSUG Code: 79 46 007 100



Belisha Beacon Gallery

76mm post top mounting for beacon and LED - Our best selling Belisha Beacon gallery, the single piece die cast aluminium gallery is the ideal choice for new installs or refurbishment of existing beacons. Quick and easy to install, our modern design is built to last while keeping to the traditional beacon crossing look.

- ◇ Single piece die cast aluminium
- ◇ Easy to install
- ◇ Secures to a 76mm post with 3 x stainless steel M6 bolts
- ◇ Globe is secured to the gallery with 3 x stainless steel bolts
- ◇ Designed to fit our LED3PW and our New LEDMAX
- ◇ Super Bright LED
- ◇ Option of anti-vandal fixings



Globes

Having made the mould tool ourselves to our usual high standards we than have the globes rotationally moulded in UV stabilised Borealis Polyethylene. The result of which is a robust product with high impact strength and because of the luminescent compounds a brighter globe! The globe is held in place by 3no. S/S Hex-Pin Tamper Proof bolts and with its neoprene seal obtains a rating of IP54.

- ◇ 1 size supplied.
- ◇ Globes available:
- ◇ Amber • High Glow Amber • Pearl • High Glow Pearl



Columns & Floodlights - Please see specs and info on page 11 & 12

Halosphere

(P/N) HALOFLV1

The Halosphere is our new and improved Belisha beacon with an extra safety feature to create a higher visibility for motorists and extra assurance for pedestrians.

The HALOSPHERE is a complete head unit ready for install.

It comes complete with

- ◇ 76mm post top gallery
- ◇ Flashing LED 45W 24V 'Halo' surround - 160 LEDs Creating 45 Watts of bright power.
- ◇ IP67 7W LED 'Aura Ring'
- ◇ Polycarbonate amber globe
- ◇ 6W 24V flashing globe LED



Features & Benefits:

- ◇ **Secured via 4 x stainless steel M6 bolts** - If the lamppost was to be knocked over and any exposure of electrical components were exposed from the top then they are theoretically safe.
- ◇ **Quick and simple** - It comes fully assembled and our 'Plug & Play' design means a fast and simple installation.
- ◇ **Built to last** - Die cast aluminium powder coated satin black, we've durably tested this over the past 24 months in most climates.
- ◇ **Customisable** - Variable flash patterns, Timers, Modular flood lights with photocell, Auto sync, custom PCB boards (non standard order). Center segment can have up to 12 characters, flashing or non-flashing e.g. SLOW.
- ◇ **Modular Design** - To fit our die cast Gallery and to house accessories soon to come. Allows customisable circuit boards within the halo to display text i.e SLOW, TESCO etc. Each of the 10 modular segments can be customised. Alternate flash pattern on halo. Globe off halo on/ Globe on Halo off or globe and halo flashing in sync. All this is achievable via the module circuit board design.



Columns & Floodlights - Please see specs and info on page 11 & 12

Refuge Beacons

Refuge beacons are usually mounted on a 5m grey column with white reflective bands. They are found on refuge islands also know as pedestrian islands or central islands. These are used for pedestrians to stop on before completing the road crossing and are typically found in areas where the road is very wide or has a faster speed limit.

HaloRefuge

(P/N) XXX

The HALOREFUGE is a non flashing LED 'Halo' surround complete with a refuge beacon. Pre-assembled head unit ready for install.

It comes complete with:

- ◇ 76mm post top gallery and fixing bolts
- ◇ Globes are manufactured from stabilised MDPE Polyethylene and are resitant to fading for up to 5 years
- ◇ 6W 24V illuminated globe LED
- ◇ 'Halo' surround c/w non flashing LED 45W 24V
- ◇ UMSUG code pending
- ◇ The protection between the globe and the gallery will withstand water & dust ingress to IP54



Refuge Beacon

(P/N) XXX



It comes complete with:

- ◇ 76mm post top gallery (painted traffic grey) and fixing bolts
- ◇ Globes are manufactured from stabilised MDPE Polyethylene and are resitant to fading for up to 5 years
- ◇ 6W 240V illuminated globe LED
- ◇ UMSUG code pending
- ◇ The protection between the globe and the gallery will withstand water & dust ingress to IP54.

Spares

Solar Panels

30W Solar Panel - Pt No: SBB30W

- ◇ Polycrystalline panel
- ◇ Solar panel guarentees >80% nominal power up to 25 years after install.
- ◇ Complete with mounting bracket, fixing kit and 5m solar cable.



Solar Panels

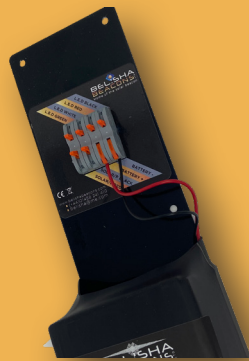
50W Solar Panel - Pt No: SBB50W

- ◇ Monocrystalline panel
- ◇ Solar panel guarentees >80% nominal power up to 25 years after install.
- ◇ Complete with mounting bracket, fixing kit and 5m solar cable.



Battery Pack - Pt No: SBB12/18AHBP

- ◇ 12V 18A/H lead acid AGM battery pack complete designed to fix to a standard colomn backboard.
- ◇ Complete with quick connection block.



Gallery - Pt No: BG3

- ◇ Singular piece diecast aluminum
- ◇ To fit a 76mm post top
- ◇ Complete with stainless steel M6 fixing bolts



LED's

- ◇ Flashing
- ◇ Driverless

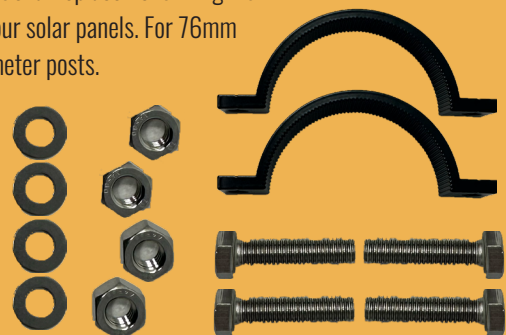
Available in:

- ◇ Main's powered - Pt No: LED2PW LEDMAX
- ◇ Solar Powered - Pt No: LED2PW-S6



Solar Panel Fixing Kit- Pt No: SBBFK

- ◇ Additional replacement fixing kit for our solar panels. For 76mm diameter posts.



Spares

Globes

- ◇ 300mm circumference
- ◇ Rotary moulded globe
- ◇ UV stable
- ◇ Rotationally moulded using stabilised MDPE Polyethylene.
- ◇ Protection between globe and gallery will withstand water and dust ingress.
- ◇ Designed to min. IP54



AG300



WG300



HG300

Available in:

- ◇ Amber - **Pt No: AG300**
- ◇ White - **Pt No: WG300**
- ◇ Hi-glow - **Pt No: HG300**

Reflective Bands - Pt No: WRB76

- ◇ Self-adhesive High Intensity Prismatic Grade reflective vinyl
- ◇ 305mm x 250mm
- ◇ ASTM D-4956-III, EN 12899-1:2007 Class RA2* & Class R3B
- ◇ Durability 5-7 years



Column Doors

- ◇ Lockable replacement column doors
- ◇ Galvanised option

Available in 2 sizes:

- ◇ 140mm dia base - Black
Pt No: CD140B
- ◇ 140mm dia base - Galvanised
Pt No: CD140G
- ◇ 168mm dia base - Galvanised
Pt No: CD168G



CD140B



**CD140G/
CD168G**

Flange post Fixing kit - Pt No: FLFK

- ◇ Resin Glue
- ◇ 4 x M14 nuts
- ◇ 4 x M14 nut caps
- ◇ 4 x M14 spreadplate washers
- ◇ 4 x 400mm threaded bars



Column Keys - Pt No: CK8

- ◇ For unlocking column doors



Please contact us for any more spares queries.

Accessories

Floodlights - Pt No: 12WBFLP

- ◇ Extruded aluminium body with cast aluminium endcaps finished black
- ◇ Up to 1500lm output through a 90 degree magnifying extruded optic
- ◇ Clear or opal optic available
- ◇ Photocell switching
- ◇ Supplied with easy fix 76mm diameter column mounting bracket as standard



LED CHARACTERISTICS

CRI	80
COLOUR TEMPERATURE	4000K
RATED LIFE (HOURS)	100K - L70/B10
PROTECTION	LUX GUARD
DRIVER EFFICIENCY	>85%
REPLACEABLE	YES
POWER FACTOR	>0.90
LL/CW	126.0



Outreach Brackets Pt No: ORB76-300

An outreach bracket is a 300mm offset 76mm clamp on fixing.

Courtesy Shields Pt No: CSGS

Our Courtesy Shields fit onto existing Beacon Galleries and will shield light from nearby buildings. Powder Coated Black.

Pedestrian Crossing Sign

Two sizes available:

- 450mm - **Pt No: PCS45**
- 600mm - **Pt No: PCS60**

Easily mountable to a 76mm post, comes complete with fixing kit. Reflectivity of sign is highways compliant.

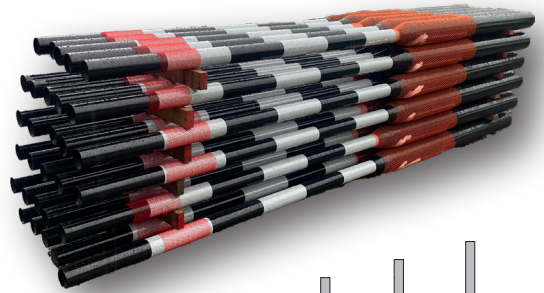


Accessories

Columns - Pt No: CU3.6

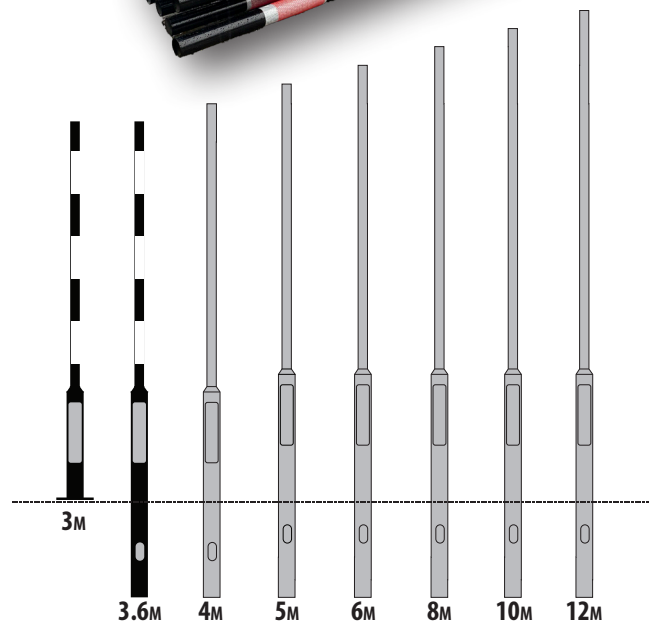
Standard Column - Pt No: CU3.6

- ◇ Size (Height): available 3-12m
- ◇ Made using hot - dipped polyester powder coated galvanised steel
- ◇ Conforms to BS EN1469 standards.
- ◇ Column available on its own or pre-wired ready for connection.
- ◇ Finish: Black up to 1m from bottom then 300mm white, 300mm black, etc.



Flange Mounted Column - Pt No: CU3FL

- ◇ Design: BSEN40, PD6547: 2004+A1: 2009 Extra heavy wind loading region (No sign)
- ◇ Load class B
- ◇ Deflection class 3
- ◇ Head load 50kg/0.5m² *
- ◇ Finish: Galvanised to BSEN 1461:2009
- ◇ Welding in accordance with BSEN1011
- ◇ Procedures to BSEN ISO 15614-1:2004
- ◇ Welders qualified to BSEN 287-1:2004



Column Cut Out with Fuse - Pt No: CC01

- ◇ Double pole, single fuse cut out, complete with earth block and small 2-way extension trough with brass plate with 2 x 20mm hole
- ◇ Isolator rating: IP43
- ◇ Including 6A fuse



Column Spigot Adaptors

- ◇ Column spigot adaptors for street lighting made from galvanised steel and painted black.
- ◇ Comes in 2 sizes:
- ◇ 114mm-76mm -
Pt No: - SPIG A 114-76
- ◇ 140mm-76mm -
Pt No: - SPIG A 140-76

